



UNITED STATES PATENT AND TRADEMARK OFFICE

UNITED STATES DEPARTMENT OF COMMERCE  
United States Patent and Trademark Office  
Address: COMMISSIONER OF PATENTS AND TRADEMARKS  
Washington, D.C. 20231  
www.uspto.gov

| APPLICATION NO. | FILING DATE | FIRST NAMED INVENTOR | ATTORNEY DOCKET NO. | CONFIRMATION NO. |
|-----------------|-------------|----------------------|---------------------|------------------|
| 09/835,319      | 04/17/2001  | Eun-Kyung Lee        | Q63516              | 5337             |

7590                      07/17/2002  
SUGHRUE , MION, ZINN, MACPEAK & SEAS, PLLC  
2100 Pennsylvania Avenue, N.W.  
Washington, DC 20037-3202

EXAMINER

RODRIGUEZ, ARMANDO

ART UNIT                      PAPER NUMBER

2828

DATE MAILED: 07/17/2002

Please find below and/or attached an Office communication concerning this application or proceeding.

**Office Action Summary**

|                                      |                                   |  |
|--------------------------------------|-----------------------------------|--|
| <b>Application No.</b><br>09/835,319 | <b>Applicant(s)</b><br>LEE ET AL. |  |
| <b>Examiner</b><br>Armando Rodriguez | <b>Art Unit</b><br>2828           |  |

-- The MAILING DATE of this communication appears on the cover sheet with the correspondence address --

**Period for Reply**

A SHORTENED STATUTORY PERIOD FOR REPLY IS SET TO EXPIRE 3 MONTH(S) FROM THE MAILING DATE OF THIS COMMUNICATION.

- Extensions of time may be available under the provisions of 37 CFR 1.136(a). In no event, however, may a reply be timely filed after SIX (6) MONTHS from the mailing date of this communication.
- If the period for reply specified above is less than thirty (30) days, a reply within the statutory minimum of thirty (30) days will be considered timely.
- If NO period for reply is specified above, the maximum statutory period will apply and will expire SIX (6) MONTHS from the mailing date of this communication.
- Failure to reply within the set or extended period for reply will, by statute, cause the application to become ABANDONED (35 U.S.C. § 133).
- Any reply received by the Office later than three months after the mailing date of this communication, even if timely filed, may reduce any earned patent term adjustment. See 37 CFR 1.704(b).

**Status**

- 1)  Responsive to communication(s) filed on 20 June 2002.
- 2a)  This action is **FINAL**.
- 2b)  This action is non-final.
- 3)  Since this application is in condition for allowance except for formal matters, prosecution as to the merits is closed in accordance with the practice under *Ex parte Quayle*, 1935 C.D. 11, 453 O.G. 213.

**Disposition of Claims**

- 4)  Claim(s) 1,2,6-10 and 16-18 is/are pending in the application.  
4a) Of the above claim(s) \_\_\_\_\_ is/are withdrawn from consideration.
- 5)  Claim(s) \_\_\_\_\_ is/are allowed.
- 6)  Claim(s) 1,2,6-10 and 16-18 is/are rejected.
- 7)  Claim(s) \_\_\_\_\_ is/are objected to.
- 8)  Claim(s) \_\_\_\_\_ are subject to restriction and/or election requirement.

  
PAUL IP  
SUPERVISORY PATENT EXAMINER  
TECHNOLOGY CENTER 2800

**Application Papers**

- 9)  The specification is objected to by the Examiner.
- 10)  The drawing(s) filed on \_\_\_\_\_ is/are: a)  accepted or b)  objected to by the Examiner.  
Applicant may not request that any objection to the drawing(s) be held in abeyance. See 37 CFR 1.85(a).
- 11)  The proposed drawing correction filed on \_\_\_\_\_ is: a)  approved b)  disapproved by the Examiner.  
If approved, corrected drawings are required in reply to this Office action.
- 12)  The oath or declaration is objected to by the Examiner.

**Priority under 35 U.S.C. §§ 119 and 120**

- 13)  Acknowledgment is made of a claim for foreign priority under 35 U.S.C. § 119(a)-(d) or (f).  
a)  All b)  Some \* c)  None of:  
1.  Certified copies of the priority documents have been received.  
2.  Certified copies of the priority documents have been received in Application No. \_\_\_\_\_  
3.  Copies of the certified copies of the priority documents have been received in this National Stage application from the International Bureau (PCT Rule 17.2(a)).  
\* See the attached detailed Office action for a list of the certified copies not received.
- 14)  Acknowledgment is made of a claim for domestic priority under 35 U.S.C. § 119(e) (to a provisional application).  
a)  The translation of the foreign language provisional application has been received.
- 15)  Acknowledgment is made of a claim for domestic priority under 35 U.S.C. §§ 120 and/or 121.

**Attachment(s)**

- 1)  Notice of References Cited (PTO-892)
- 2)  Notice of Draftsperson's Patent Drawing Review (PTO-948)
- 3)  Information Disclosure Statement(s) (PTO-1449) Paper No(s) \_\_\_\_\_
- 4)  Interview Summary (PTO-413) Paper No(s) \_\_\_\_\_
- 5)  Notice of Informal Patent Application (PTO-152)
- 6)  Other:

Art Unit: 2828

**DETAILED ACTION**

***Election/Restrictions***

Claims 1,2,6-10 and 16-18 are withdrawn from further consideration pursuant to 37 CFR 1.142(b) as being drawn to a nonelected invention, there being no allowable generic or linking claim. Election was made **without** traverse in Paper No. 5.

***Claim Rejections - 35 USC § 112***

The following is a quotation of the second paragraph of 35 U.S.C. 112:

The specification shall conclude with one or more claims particularly pointing out and distinctly claiming the subject matter which the applicant regards as his invention.

Claims 1<sup>2</sup> and 6<sup>10</sup> are rejected under 35 U.S.C. 112, second paragraph, as being indefinite for failing to particularly point out and distinctly claim the subject matter which applicant regards as the invention.

Claim 1 is rejected under 35 U.S.C. 112, second paragraph, as being incomplete for omitting essential structural cooperative relationships of elements, such omission amounting to a gap between the necessary structural connections. See MPEP § 2172.01. The omitted structural cooperative relationships are: first active with the reflectors and second active layer with the reflectors.

Claim 6 is rejected under 35 U.S.C. 112, second paragraph, as being incomplete for omitting essential structural cooperative relationships of elements, such omission amounting to a gap between the necessary structural connections. See MPEP § 2172.01. The omitted structural cooperative relationships are: first lower reflector, active layer and upper reflector no relationship established only a list of elements.

Art Unit: 2828

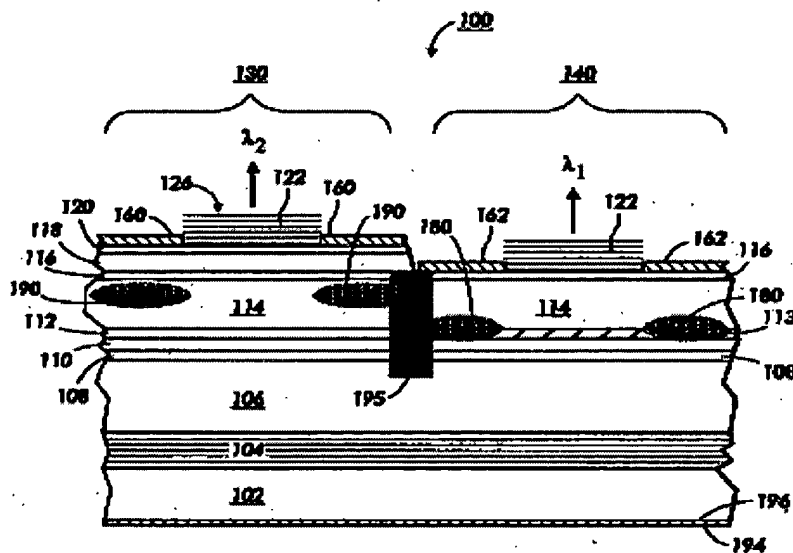
Second lower reflector, active layer and upper reflector no relationship established only a list of elements.

**Claim Rejections - 35 USC § 102**

(b) the invention was patented or described in a printed publication in this or a foreign country or in public use or on sale in this country, more than one year prior to the date of application for patent in the United States.

Claims 1,6-10 and 16-18 are rejected under 35 U.S.C. 102(b) as being anticipated by Paoli (PN 5,699,375).

In the abstract Paoli describes a multiple wavelength surface-emitting laser with neighboring cavities (130,140) having first and second distributed Bragg reflectors (DBR) (104,122) and an active region (108), where the DBR provide reflection to obtain a dual wavelength laser system and all elements of the laser system having a common substrate (102); each neighboring cavity having a pair of upper electrodes (160,162) and lower electrode (194), as shown in figure1.



**FIG. 1**

Art Unit: 2828

**Claim Rejections - 35 USC § 103**

The following is a quotation of 35 U.S.C. 103(a) which forms the basis for all obviousness rejections set forth in this Office action:

(a) A patent may not be obtained though the invention is not identically disclosed or described as set forth in section 102 of this title, if the differences between the subject matter sought to be patented and the prior art are such that the subject matter as a whole would have been obvious at the time the invention was made to a person having ordinary skill in the art to which said subject matter pertains. Patentability shall not be negated by the manner in which the invention was made.

Claim 2 is rejected under 35 U.S.C. 103(a) as being unpatentable over figure 1 of applicant's admitted prior art.

Current confinement sections or layers are well-known in the laser art and forming these sections or layers within the upper reflector is well-known as shown in figure 1 of applicant's cited prior art.

**Conclusion**

Any inquiry concerning this communication or earlier communications from the examiner should be directed to Armando Rodriguez whose telephone number is (703) 308-6218. The examiner can normally be reached on 10-hour day / M-F.

If attempts to reach the examiner by telephone are unsuccessful, the examiner's supervisor, Paul Ip can be reached on (703) 308-3098. The fax phone numbers for the organization where this application or proceeding is assigned are (703) 308-7722 for regular communications and (703) 308-7721 for After Final communications.

Any inquiry of a general nature or relating to the status of this application or proceeding should be directed to the receptionist whose telephone number is (703) 308-4881.

  
Armando Rodriguez  
Examiner  
Art Unit 2828

  
Paul Ip  
Supervisor  
Art Unit 2828

AR/PI  
July 11, 2002